

# PRODUCT SPEC SHEET

**HARLEY**  
/SOFAS

PROCESS All the fabric wooden and foam material cuts of Font Sofa are made in CNC machines according to technical drawings. Also all of our upholstering processes are handcrafted by our expert craftsmen

DESIGNED BY ADAM D LAB

TYPE INDOOR SOFA

DIMENSIONS Sectional Sofa: L 370 D 195 H 70



DESCRIPTION Removable legs via shear connector  
Soft plastic glides avoiding the floor damage attached under the legs of all kind  
Moveable seat and back cushions  
Removable back and seat cushion covers

MATERIAL Plywood framework  
Elastic cords (Three colors-70%) under the seat  
Natural beech wood legs  
32 Density Foam Seat  
High resilient foam core and blown fibre filled back cushions (seperated)(1/5)  
Hypersoft foam lamination  
60ar/m2 fibre lamination

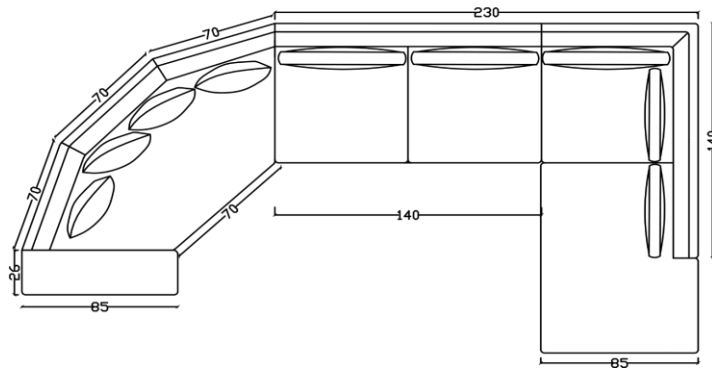
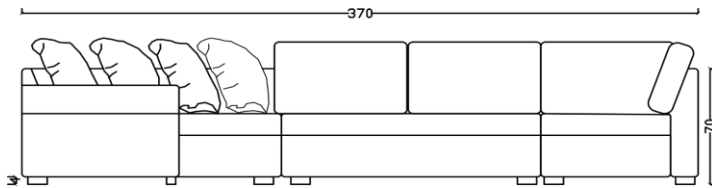
FRAME All the joints are glued and screwed for added strength.  
Frames are subjected to tough testing (TSE12520), well in excess of normal domestic use.  
Fully upholstered with 1 cm foam pad over hand tensioned heavy duty elasticated webbing.

FINISHING OPTIONS Upholstery: FB1, FB2 (Look for the upholstery page for further info)  
Wooden Legs Color: Walnut  
Other upholstery and leg options for projects are available upon request.  
Pillows can be filled duck feather (seat or back) upon request and up-charges may apply.

INSTRUCTIONS Dry clean only. Unzip cushion covers and dry clean. Remove non-greasy stains by carefully dabbing with a lint-free cloth or sponge wrung out in clean warm water. If necessary, clean by dabbing with soapy water or water with a little dish soap. Finally dab the surface with clean water.

MAINTENANCE In order to maintain the shape of the pillows, gently beat them with your hands and sculp them back into shape.

GENERAL Colors should be determined on color swatches which can be obtained from the factory.  
Non-standard finishes and sized are available, up-charges may apply.  
Standard lead time is 4-6 weeks after the payment. This time may change regarding the fabric types. Certain time will be indicated on related proforma invoice.  
Finishes are shown for illustrative purposes only, samples are available in the factory.  
Replacement parts such as seat, pillows, legs can be ordered subject to availability.



**FONT**  
comfortable sofa