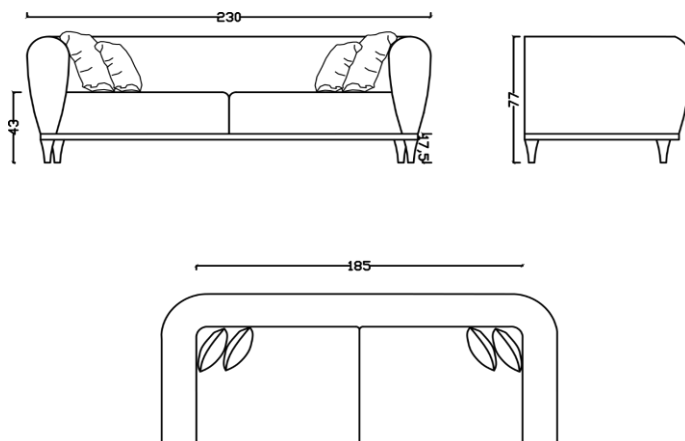


PRODUCT SPEC SHEET

LOBO
/SOFAS

PROCESS	All the fabric wooden and foam material cuts of Font Sofa are made in CNC machines according to technical drawings. Also all of our upholstery processes are handcrafted by our expert craftsmen
DESIGNED BY	ADAM D LAB
TYPE	INDOOR SOFA
DIMENSIONS	2 Seater Sofa : L 230 D 90 H 77
DESCRIPTION	Removable plastic legs via screwer Soft plastic glides avoiding the floor damage attached under the legs of all kind Additional four cushions for decorative purposes
MATERIAL	Plywood framework Elastic cords (Three colors-70%) under the seat Plastic legs 32 Density Foam Seat High resilient foam core and blown fibre filled back cushions (1/3) Hypersoft foam lamination 60gr/m2 fibre lamination
FRAME	All the joints are glued and screwed for added strength. Frames are subjected to tough testing (TSE12520), well in excess of normal domestic use. Fully upholstered with 1 cm foam pad over hand tensioned heavy duty elasticated webbing.
FINISHING OPTIONS	Upholstery: FB1, FB2, EL1, LR1 (Look for the upholstery page for further info) Pillows can be filled duck feather (seat or back) upon request and up-charges may apply. Other upholstery and leg options for projects are available upon request.
INSTRUCTIONS	Dry clean only. Remove non-greasy stains by carefully dabbing with a lint-free cloth or sponge wrung out in clean warm water. If necessary, clean by dabbing with soapy water or water with a little dish soap. Finally dab the surface with clean water.
MAINTENANCE	In order to maintain the shape of the pillows, gently beat them with your hands and sculp them back into shape.
GENERAL	Colors should be determined on color swatches which can be obtained from the factory. Non-standard finishes and sizes are available, up-charges may apply. Standard lead time is 4-6 weeks after the payment. This time may change regarding the fabric types. Certain time will be indicated on related proforma invoice. Finishes are shown for illustrative purposes only, samples are available in the factory. Replacement parts such as seat, pillows, legs can be ordered subject to availability.



FONT
comfortable sofa