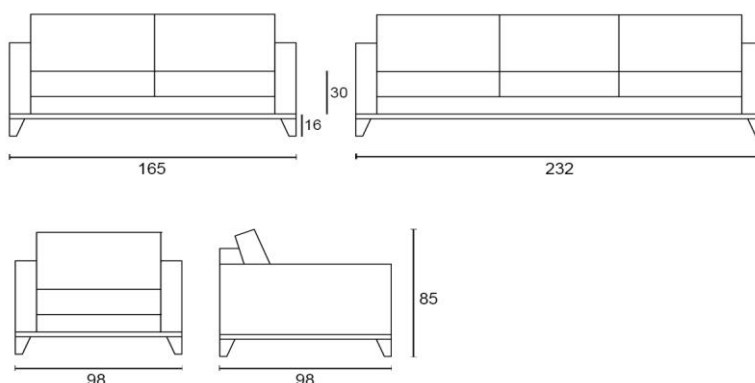


PRODUCT SPEC SHEET

STARK
/SOFAS

PROCESS	All the fabric wooden and foam material cuts of Font Sofa are made in CNC machines according to technical drawings. Also all of our upholstering processes are handcrafted by our expert craftsmen.
DESIGNED BY	ADAM D LAB
TYPE	INDOOR SOFA
DIMENSIONS	3 Seater Sofa: L 232 D 98 H 85 2 Seater Sofa: L 165 D 98 H 85 Armchair: L 98 D 98 H 85
DESCRIPTION	Removable legs with metal plate Soft plastic glides avoiding the floor damage attached under the legs Moveable seat and back cushions Removable seat and back cushion covers Back pillows have number of partitions depending on the filling material
MATERIAL	Plywood framework Elastic cords (Three colors-70%) under the seat Natural thick beech wood legs 32 Density Foam Seat covered with 300 gr/m2 fibre High resilient foam core and blown fibre filled back cushions (seperated) (1/3) Hypersoft foam lamination 60gr/m2 fibre lamination
FRAME	All the joints are glued and screwed for added strength. Frames are subjected to tough testing (TSE12520), well in excess of normal domestic use. Fully upholstered with 1 cm foam pad over hand tensioned heavy duty elasticated webbing. Blockage foam on the front top of the base to avoid unwanted movemenet of the seats.
FINISHING OPTIONS	Upholstery: FB1, FB2, EL1, LR1 (Look for the upholstery page for further info) Wooden Legs Color: Walnut, Wenge, Natural White Pillows can be filled duck feather (seat or back) upon request and up-charges may apply. Other upholstery and leg options for projects are available upon request.
INSTRUCTIONS	Dry clean only. Unzip cushion covers and dry clean. Remove non-greasy stains by carefully dabbing with a lint-free cloth or sponge wrung out in clean warm water. If necessary, clean by dabbing with soapy water or water with a little dish soap. Finally dab the surface with clean water.
MAINTENANCE	In order to maintain the shape of the pillows, gently beat them with your hands and sculp them back into shape.
GENERAL	Colors should be determined on color swatches which can be obtained from the factory. Non-standard finishes and sized are available, up-charges may apply. Standard lead time is 4-6 weeks after the payment. This time may change regarding the fabric types. Certain time will be indicated on related proforma invoice. Finishes are shown for illustrative purposes only, samples are available in the factory. Replacement parts such as seat, pillows, legs can be ordered subject to availability.



FONT
comfortable sofa