

PRODUCT SPEC SHEET

SWAN
/SOFAS

PROCESS All the fabric wooden and foam material cuts of Font Sofa are made in CNC machines according to technical drawings. Also all of our upholstery processes are handcrafted by our expert craftsmen.

DESIGNED BY FONT SOFA
TYPE INDOOR SOFA

DIMENSIONS 2 Seater Sofa : L 175 D 90 H 68



DESCRIPTION Removable metal legs via screw
Soft plastic glides avoiding the floor damage attached under the legs of all kind
Moveable seat back cushions
Removable back cushion covers
Additional two cylinder cushions for decorative purposes

MATERIAL Plywood framework
Elastic cords (Three colors-70%) under the seat
Powder-coated metal legs
32 Density Foam Seat
High resilient foam core and blown fiber-filled back cushions (separated) (1/3)
Hypersoft foam lamination
60gr/m2 fibre lamination

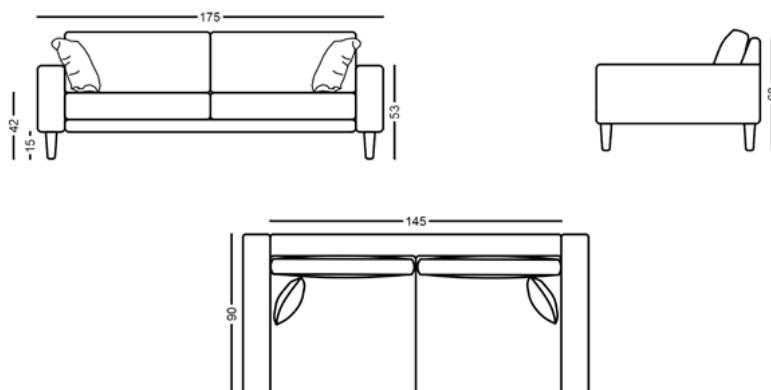
FRAME All the joints are glued and screwed for added strength.
Frames are subjected to tough testing (TSE12520), well in excess of normal domestic use.
Fully upholstered with 1 cm foam pad over hand tensioned heavy duty elasticated webbing.
Blockage foam on the front top of the base to avoid unwanted movement of the seats.

FINISHING OPTIONS Upholstery: FB1, FB2, EL1, LR1 (Look for the upholstery page for further info)
Metal Legs Color: N.0001, N.0020, N.0040, N.7022, N.8019, N.9006, N.9010
Chrome coated metal legs (optional)
Pillows can be filled feather (seat or back) upon request and up-charges may apply.
Other upholstery and leg options for projects are available upon request.

INSTRUCTIONS Dry clean only. Unzip cushion covers and dry clean. Remove non-greasy stains by carefully dabbing with a lint-free cloth or sponge wrung out in clean warm water. If necessary, clean by dabbing with soapy water or water with a little dish soap. Finally dab the surface with clean water.

MAINTENANCE To maintain the shape of the pillows, gently beat them with your hands and sculp them back into shape.

GENERAL Colors should be determined on color swatches that can be obtained from the factory.
Non-standard finishes and sizes are available, up-charges may apply.
The standard lead time is 4-6 weeks after the payment. This time may change regarding the fabric types.
Certain times will be indicated on the related proforma invoice.
Finishes are shown for illustrative purposes only, samples are available in the factory.
Replacement parts such as seats, pillows, legs can be ordered subject to availability.



FONT
comfortable sofa